

Lithium-ion Rechargeable E-bike Battery Pack Specification

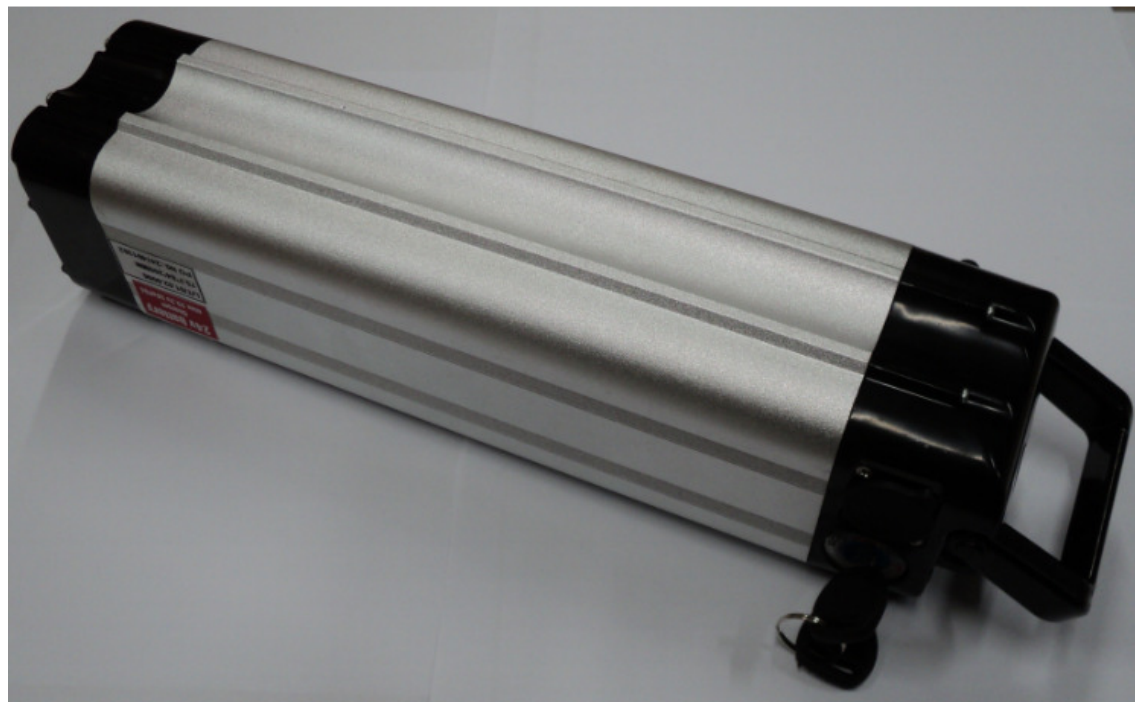
Product Name: E-BIKE BATTERY PACK LiMnO2 24V 10Ah SLIVER FISH STYLE

Product Art Nr: LIT/01.01.0007

Specifications: 24V 10Ah LiMnO2 (Case Model 104)

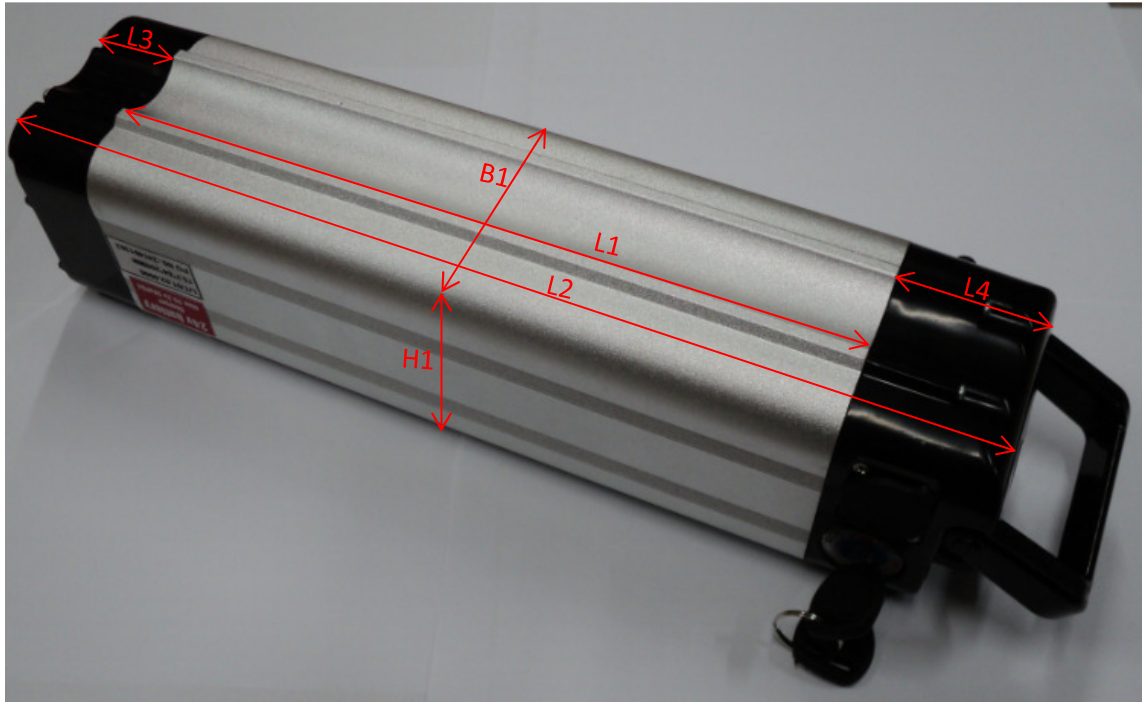
Specifications	
Items	Value
Typical capacity	10Ah
Nominal voltage	25,2V
charge cut-off voltage	29.4V \pm 0.1V
Discharge cut-off voltage	\geq 19.6V
Standard cont. charge current	2A
MAX cont. charge current	5A
Standard cont. discharge current	5A
MAX Cont. discharge current	15A
Peak current	30A (< 1 Sec)
Resistance	< 180m Ω
Protection Rating	IP54
Over temperature protection Cells	60°C
Over temperature protection BMS (Mosfet)	65°C
Operating temperature range	-20 / 50 °C
Storage temperature range	-20 / 45 °C
Storage humidity	5% - 90%
Size	285x88,5x86mm
Internal Size	190x75,5x84mm
Weight	2,7kg +- 0,2kg

General Pic:



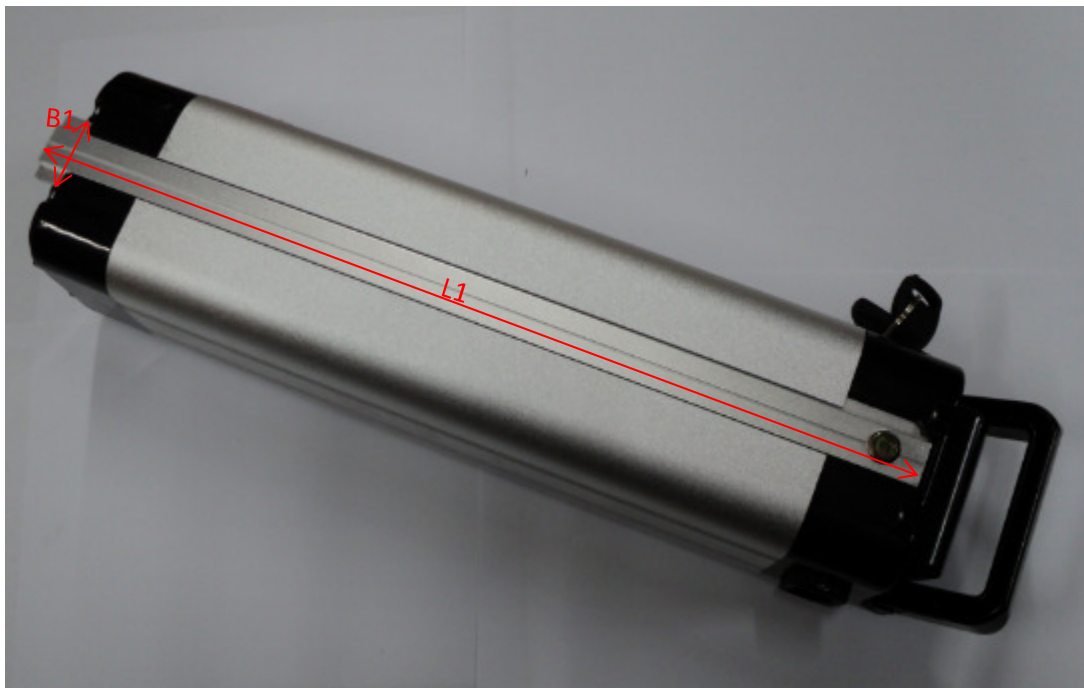
Detailed dimensions:

Dimensions battery:



B1	H1	L1	L2	L3	L4
86mm	88,5mm	190mm	285mm	35mm	60mm

Dimensions Holder:



B1	L1
28mm	265mm

Front:

In the Front of the battery you can find:

- Battery status indicator.
- Charger connector.
- E-bike Discharger Connector 2.
- Safety Fuse.
- Key-switch.



1) Battery status indicator

Voltage controlled 4 LED's Status indicator: 4 Green Led's.
The indication is only for 3-4sec on after pushing the button.



2) Charger connector:

On the left side from the front we have the charger Connection.
- 3 way chassis mount XLR plastic plug 16A with protection cap.

- Pin 1: Input +
- Pin 2: Input -
- Pin 3: NC



3) E-bike Discharger Connector 2:

On the right from the front we have a discharge output from type IEC 320 C13.

- Pin 1: N => Output +
- Pin 2: L => Output -
- Pin 3: PE => NC



4) Safety Fuse:

At the left side from the front we have a safety holder for protection of the outputs (30A).



5) Key-switch:

On the left side from the front we have the Key-switch that has 3 states:

- 1) Unlock => battery mechanical unlocked / battery output off.
- 2) Off => battery mechanical locked / battery output off.
- 3) On => battery mechanical locked / battery output on.



Back:

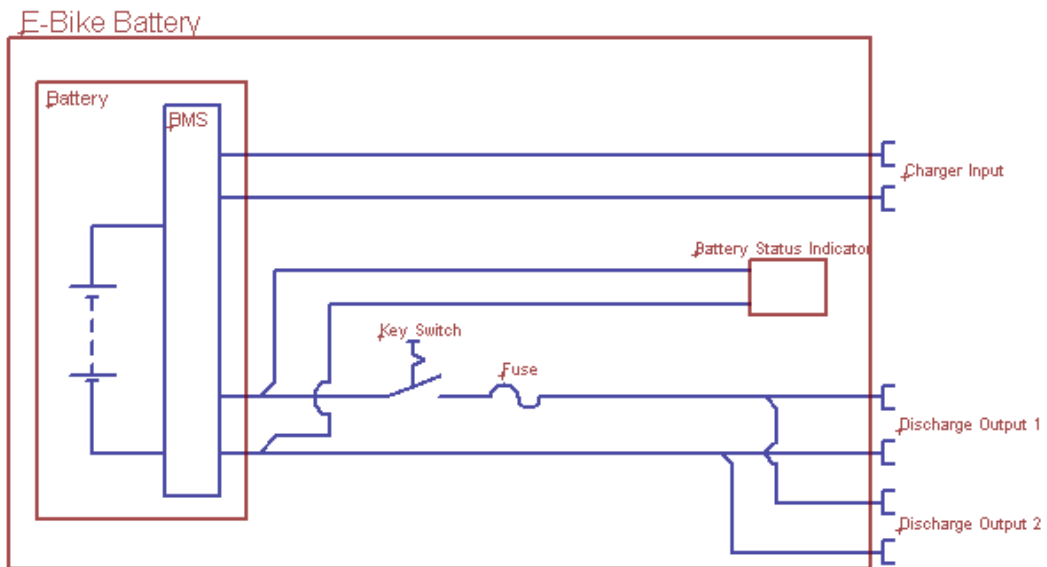
On the back of the battery you can find:

- Battery discharger connector 1.

- Pin 1: - Output -
- Pin 2: - NC
- Pin 3: + NC
- Pin 4: + Output +



Internal schematic:

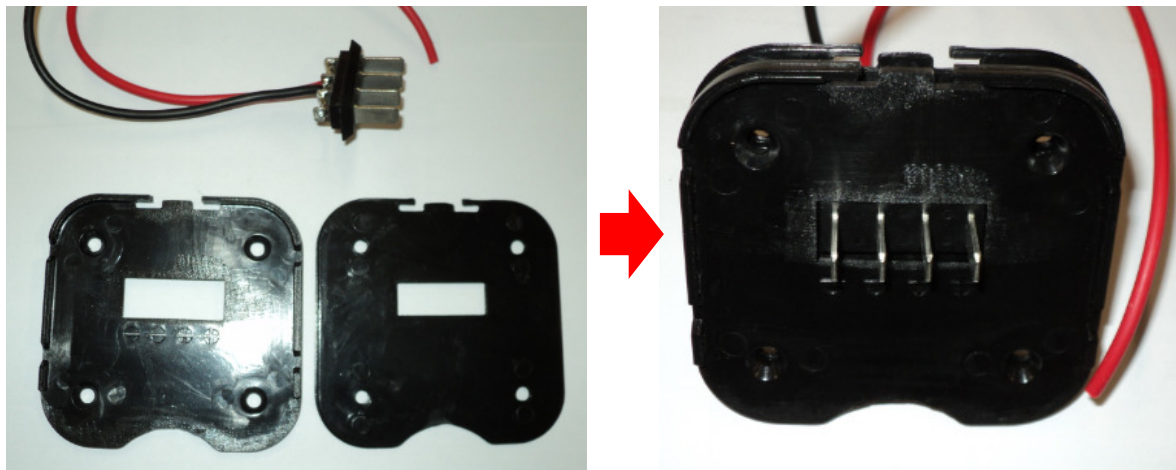


Additional pieces:

Following pieces also need to be delivered with this battery:

- Connector holding plates and connector.
- Charger

1) Connector holding plates and connector:



2) Charger:

LI-ION charger 29.4V 2A (7 CELLS LiMnO2) in Aluminum case.
For use on a main voltage 220-240V 50Hz.
With input safety fuse and output safety fuse (5A).



And following XLR connector:

